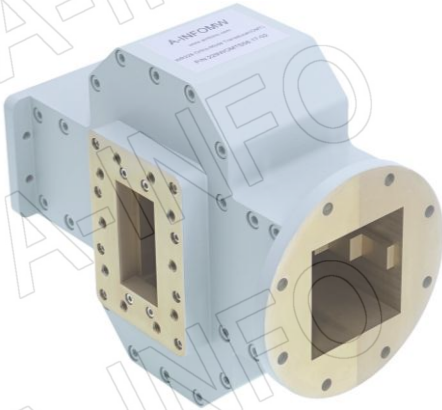


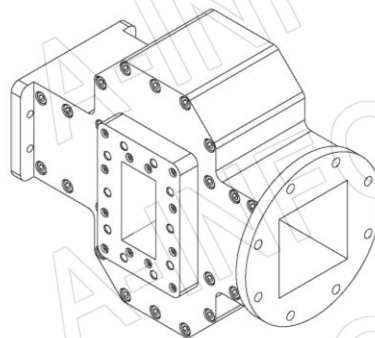
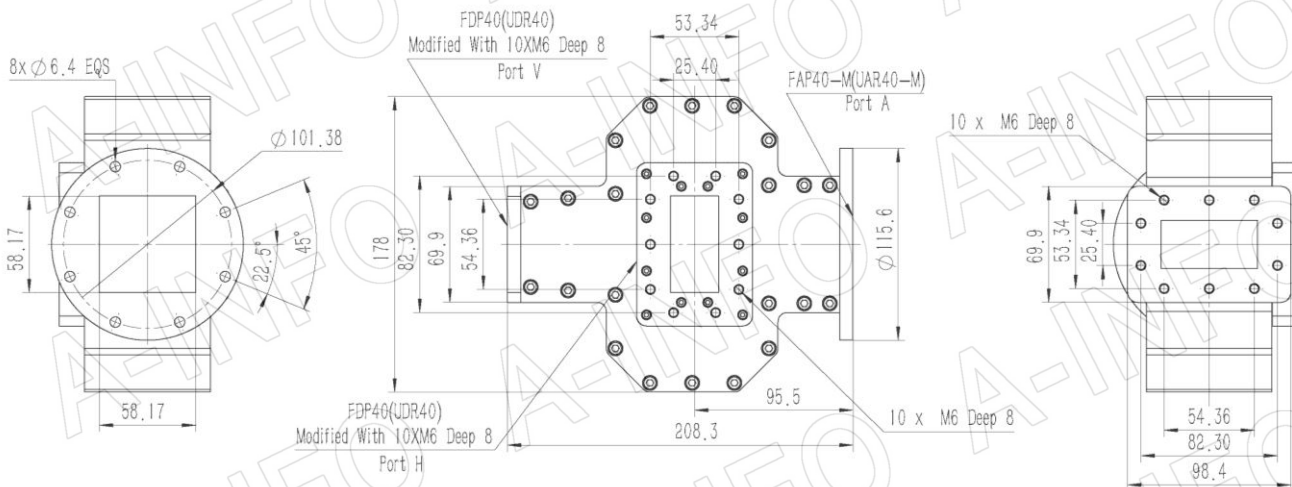
For reference only. See data sheet for the detailed specifications.

Technical Specification



EIA WR	WR229
Frequency Range(GHz)	3.30 – 4.90
Bandwidth	Full
Common Port	58.17mm Square WG
Insertion Loss(dB)	0.35 Max.
VSWR	1.30:1 Typ.
Cross Pol. Isolation(dB)	50 Typ.; 40 Min.
Port to Port Isolation(dB)	50 Min.
Common Port Flange	FAP40-M(UAR40-M)
Flange	FDP40(UDR40) (Modified with 10xM6 Deep8)
Material	Al
Size(mm)	208.3 x 115.6 x 178
Net Weight(Kg)	3.52 Around

Outline Drawing (Size: mm)



AINFO Inc.

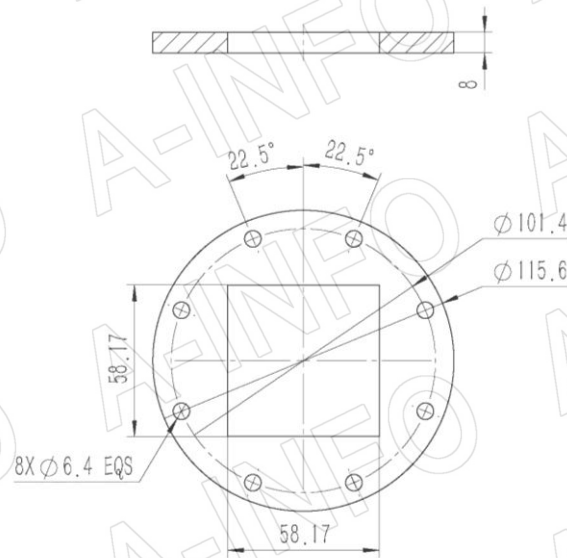
China(Beijing): Tel: (+86) 10-6266-7326,
China(Chengdu): Tel: (+86) 28-8519-2786,
USA: Tel: (+1) 949-639-9688,

Page 1 of 5

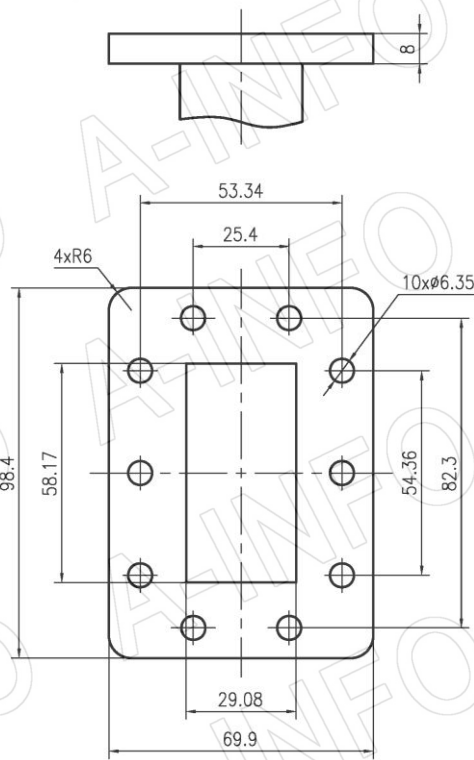
(+86) 10-6266-7327 Fax: (+86) 10-6266-7379
(+86) 28-8519-3044 Fax: (+86) 28-8519-3068
(+1) 949-639-9608 Fax: (+1) 949-639-9670

Website: www.ainfoinc.com
Email: sales@ainfoinc.com

Flange Drawing (Size: mm)



FAP40-M



FDP40

AINFO Inc.

China(Beijing): Tel: (+86) 10-6266-7326,
 China(Chengdu): Tel: (+86) 28-8519-2786,
 USA : Tel: (+1) 949-639-9688,

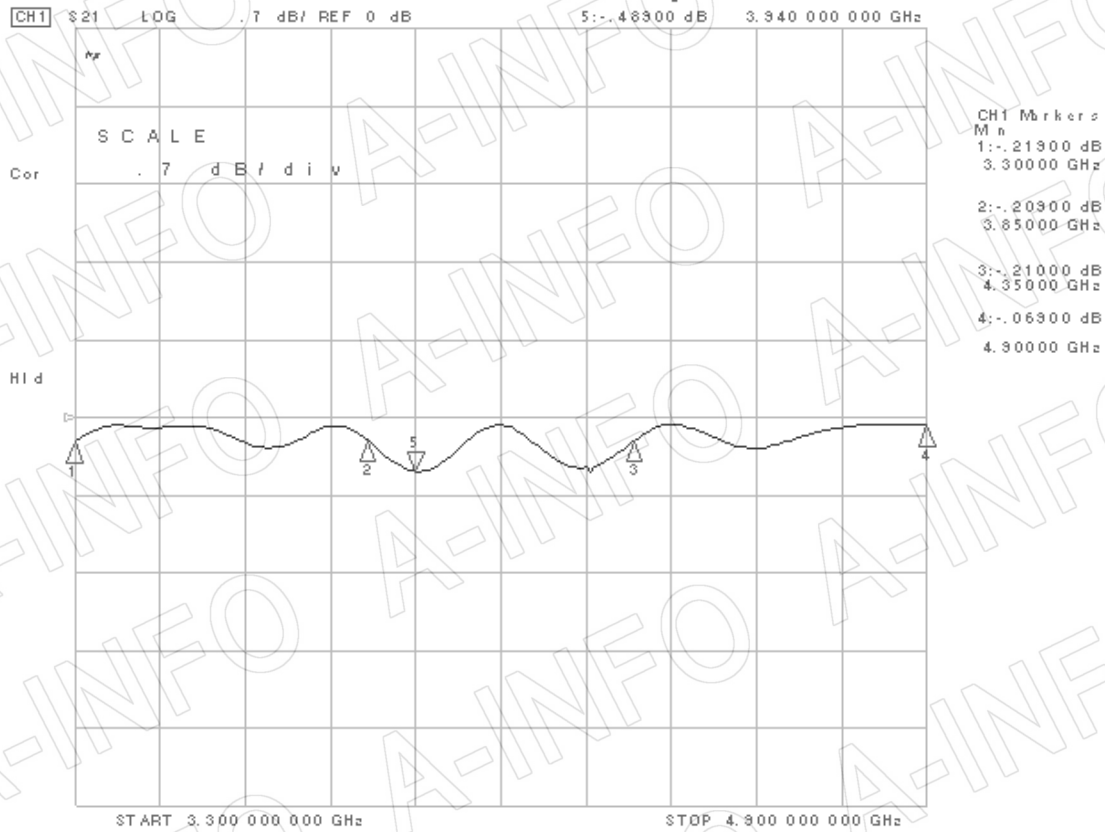
Page 2 of 5

(+86) 10-6266-7327 Fax: (+86) 10-6266-7379
 (+86) 28-8519-3044 Fax: (+86) 28-8519-3068
 (+1) 949-639-9608 Fax: (+1) 949-639-9670

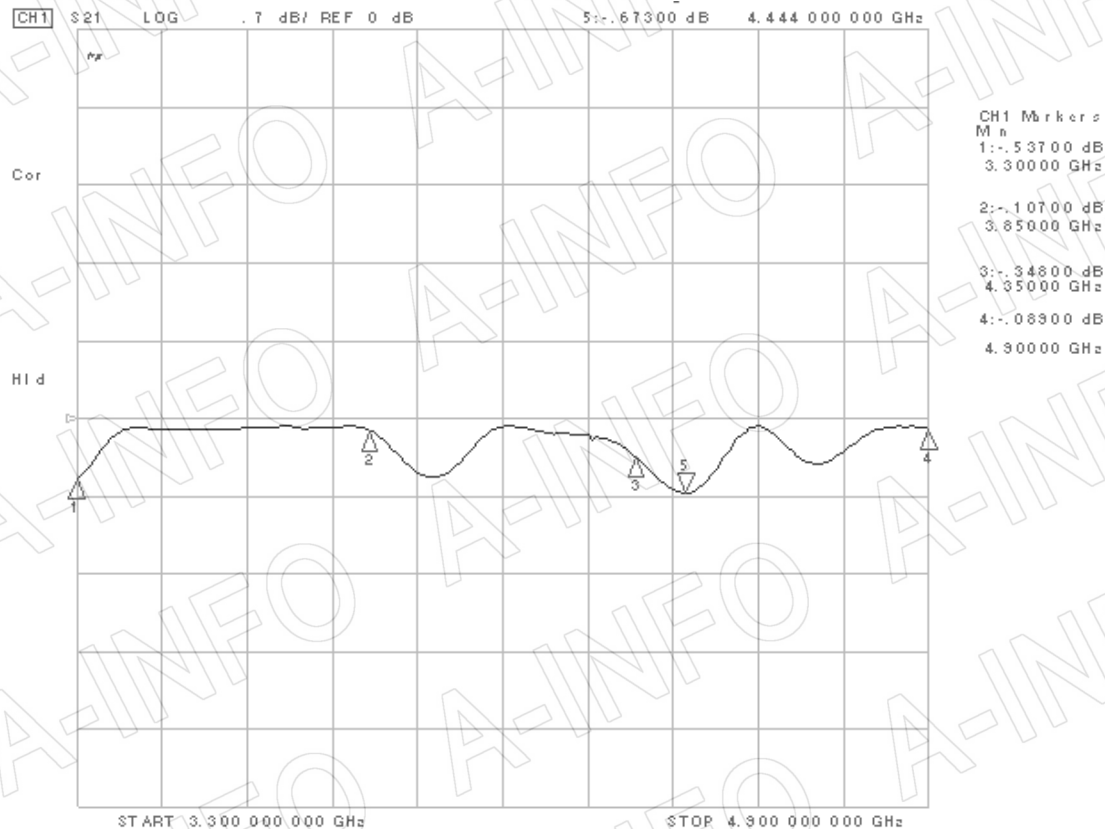
Website: www.ainfoinc.com
 Email: sales@ainfoinc.com

Test Results

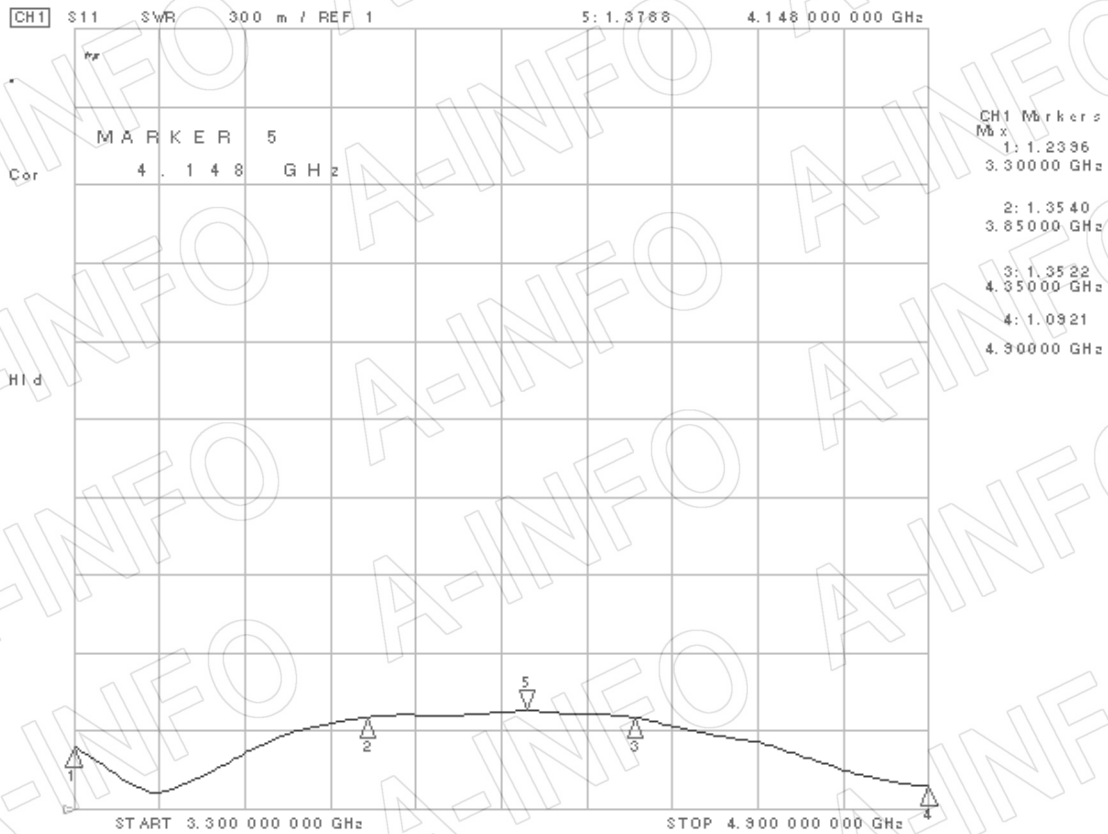
Port H_ Insertion Loss(Test with two OMT back to back)



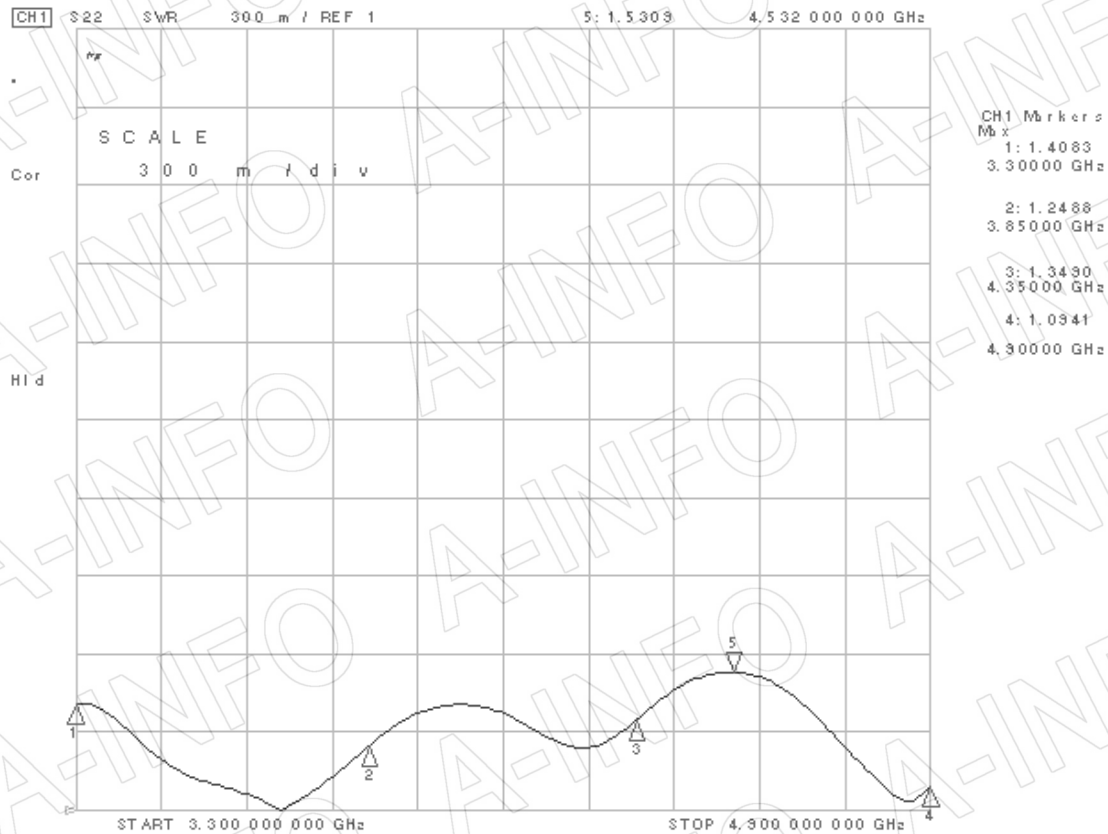
Port V_ Insertion Loss(Test with two OMT back to back)



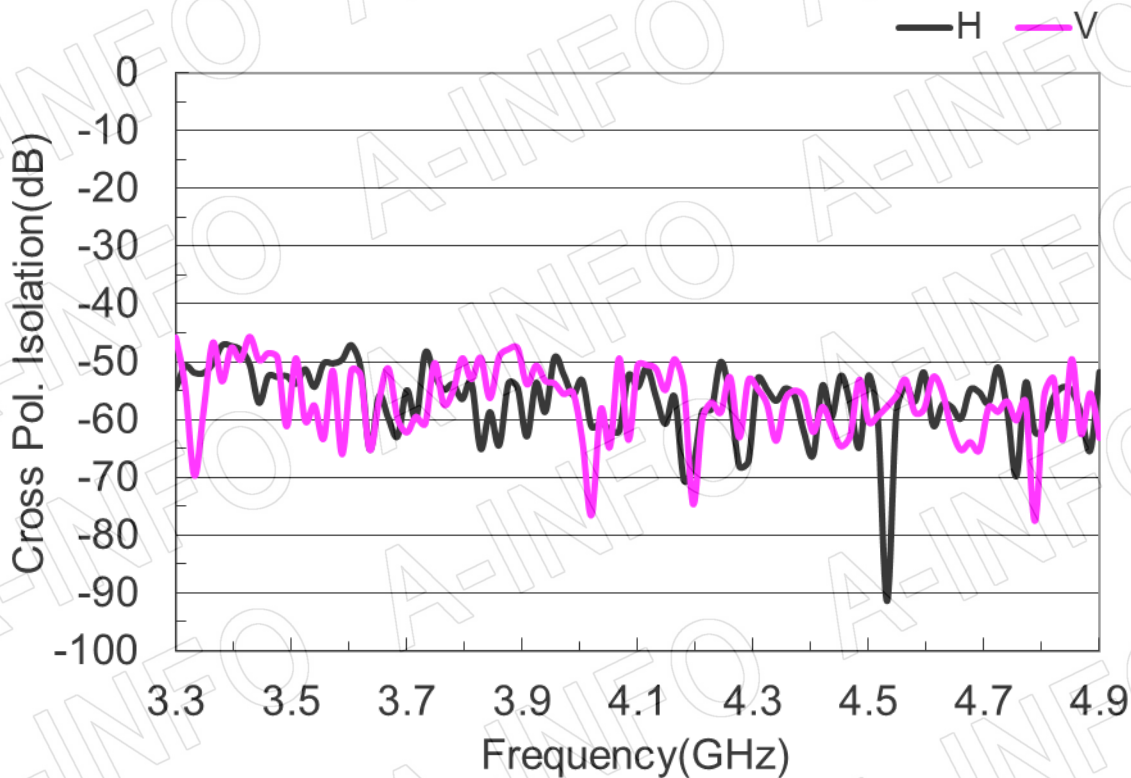
Port H_VSWR



Port V_VSWR



Cross Polarization Isolation



Port to Port Isolation

